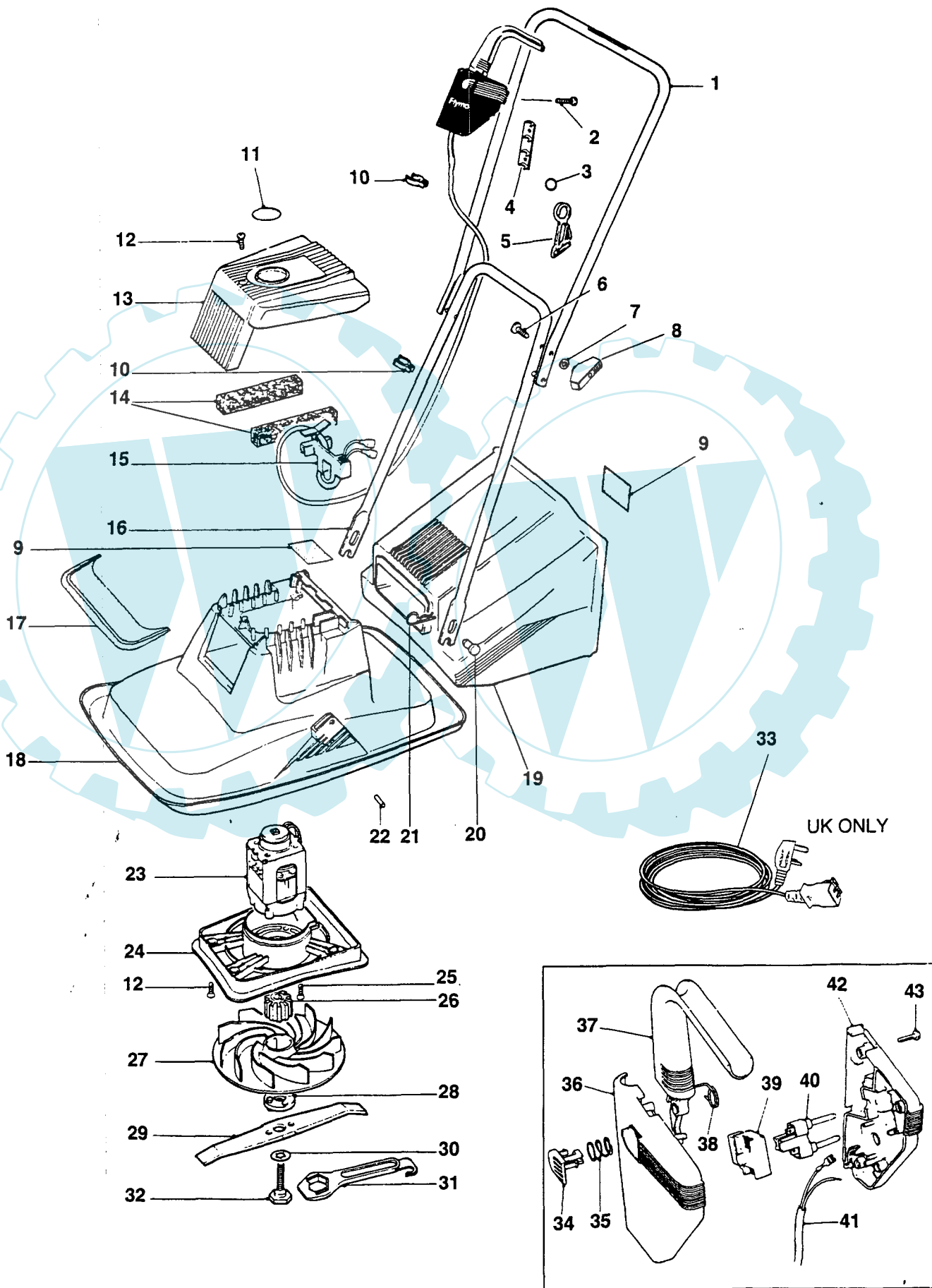


Flymo

| | |
|-------------|---------------------------|
| MODEL | XE250 |
| PRODUCT NO. | 9632561, 9632562, 9632564 |



Flymo

| | |
|-------------|----------------------------------|
| MODEL | XE250 |
| PRODUCT NO. | 9632561, 9632562, 9632564 |

| KEY PART NUMBER | DESCRIPTION | QTY | |
|-----------------|----------------------------|-----|--|
| 01 5126816-21/3 | HANDLE/LABEL ASSY | 1 | GB.EI. |
| 5117667-01/3 | HANDLE,UPPER | 1 | A.B.D.F.NL.I.E.P.N.DK.S. |
| 02 5146672-00/0 | SCREW | 2 | |
| 03 5148886-00/4 | SPLIT RING | 1 | N.DK.S. |
| 04 5117659-01/0 | RETAINER,SWITCHBOX | 1 | GB.EI. |
| 5117657-01/4 | RETAINER,SWITCHBOX | 1 | A.B.D.F.NL.I.E.P.N.DK.S. |
| 05 5138024-00/4 | CORD GUIDE | 1 | A.B.D.F.NL.I.E.P. |
| 5126240-01/8 | CORD GUIDE | 1 | N.DK.S. |
| 06 5148672-00/8 | HANDLE BOLT | 2 | |
| 07 5140266-00/7 | WASHER | 2 | |
| 08 5137679-00/6 | WING KNOB | 2 | |
| 09 5138319-00/8 | LABEL,WARNING | 1 | |
| 10 5137750-00/5 | CLIP,CABLE | 2 | |
| 11 5137855-01/0 | LABEL,AUTOSTOP | 1 | |
| 12 5146736-00/3 | SCREW | 5 | |
| 13 5137695-10/1 | COVER ASSEMBLY | 1 | GB.EI. |
| 5137695-11/9 | COVER ASSEMBLY | 1 | A.B.D.F.NL.I.E.P.N.DK.S. |
| 14 5148267-00/7 | FILTER | 2 | |
| 15 5126741-00/7 | CLAMP | 1 | |
| 16 5117690-01/5 | HANDLE,LOWER | 1 | |
| 17 5126732-01/4 | LABEL,FLYMO | 1 | |
| 18 5126829-00/0 | HOOD 25CM | 1 | |
| 19 5117146-04/2 | GRASSBOX ASSEMBLY | 1 | |
| 20 5140092-03/1 | PIVOT PIN | 2 | |
| 21 5140423-00/4 | PIN,RETAINING | 2 | |
| 22 5147594-00/5 | PIN | 2 | |
| 23 5150005-01/4 | MOTOR,240V BRAKED | 1 | GB.EI. Use with product No: 9632561 ONLY |
| 5150005-02/2 | MOTOR,220V BRAKED | 1 | A.B.D.F.NL.I.E.P.N.DK.S. Use with product No: 9632562 ONLY |
| 5150005-00/6 | MOTOR,230V | 1 | |
| 24 5106491-00/3 | MOTOR MOUNTING PLATE | 1 | |
| 25 5148122-01/2 | SCREW | 4 | |
| 26 5126764-00/9 | INSERT,IMPELLER | 1 | |
| 27 5116967-10/9 | IMPELLER | 1 | |
| 28 5138110-01/9 | BLADE SPACER,PEGGED | 3 | |
| 29 5126535-01/1 | BLADE 25CM | 1 | |
| 30 5148259-00/4 | WASHER ANTI FRICTION PTFE | 1 | |
| 31 5126682-00/3 | SPANNER/SCRAPER | 1 | |
| 32 5137608-00/5 | BLADE BOLT C/W PTFE WASHER | 1 | |
| 33 5127250-03/2 | MAINS LEAD | 1 | GB.EI. |
| 34 5127008-00/0 | LOCK OFF | 1 | |
| 35 5148658-00/7 | SPRING-LOCK OFF | 1 | |
| 36 5106539-01/7 | SWITCHBOX UPPER | 1 | |
| 37 5106481-01/2 | LEVER | 1 | |
| 38 5148657-00/9 | SPRING-TORSION | 1 | |
| 39 5137685-00/3 | SWITCH | 1 | |
| 40 5137686-00/1 | PIN RETAINER | 1 | GB.EI. |
| 5148784-00/1 | PIN RETAINER | 1 | A.B.D.F.NL.I.E.P.N.DK.S. |
| 41 5148814-11/3 | LEAD | 1 | GB.EI. |
| 5148814-14/7 | LEAD | 1 | A.B.D.F.NL.I.E.P.N.DK.S. |
| 42 5106538-00/1 | SWITCHBOX LOWER | 1 | GB.EI. |
| 5106540-00/7 | SWITCHBOX LOWER | 1 | A.B.D.F.NL.I.E.P.N.DK.S. |
| 43 5146672-00/0 | SCREW | 4 | |

PRODUCT APPLICATION

| | | | |
|------------|-------------------|------------|-------------------|
| 9632561-01 | GB.EI. | 9632564-01 | GB.EI. |
| 9632562-81 | N.DK.S. | 9632564-27 | N.DK.S.SF. |
| 9632562-85 | A.B.D.F.NL.I.E.P. | 9632564-85 | A.B.D.F.NL.I.E.P. |

WHERE NO APPLICATION DETAILS ARE SHOWN, PART APPLIES TO ALL COUNTRIES

A Austria; AUS Australia; B Belgium; CND Canada; CH Switzerland; D Germany; DK Denmark; E Spain; EI Eire; F France; GB Great Britain; I Italy; N Norway; NL Netherlands; NZ New Zealand; O/S Overseas; P Portugal; S Sweden; SF Finland; USA America; ZA South Africa